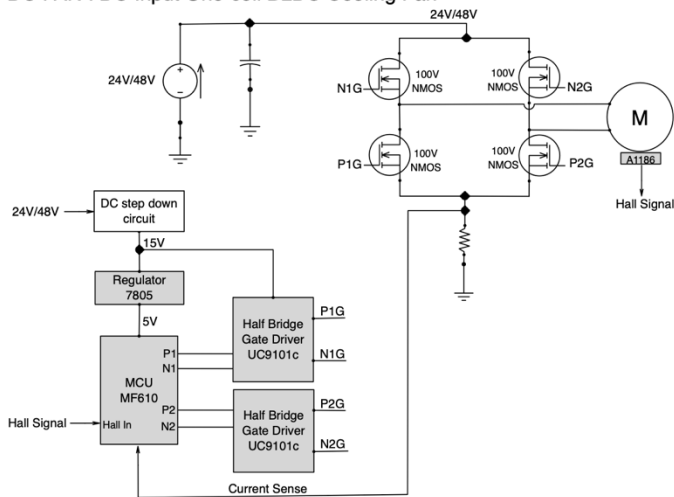


Shamrock MCU Based One-coil BLDC Fan Solutions Summary

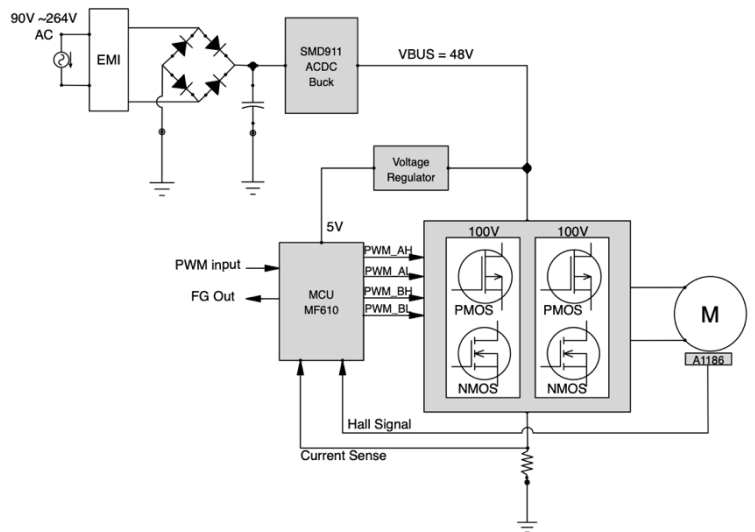
One-coil BLDC Cooling Fan Solutions and Key components

Fan	Blade	Power Supply	Input Power	RPM	MCU	Gate Driver	Inverter	Position
DC Fan	6"	DC Input-48V	16W	3500	MF610-MSOP10	UC9101c	100V NMOS X4	Hall Latch
	8"	DC Input-48V	36W	3000	MF610-MSOP10	UC9101c	100V NMOS X4	Hall Latch
EC Fan	4"	ACDC Buck Regulator	8W	3500	MF610-MSOP10	MCU Pre-driver	60V PN-MOS X2	Hall Latch
	6"	ACDC Buck Regulator	20W	3500	MF610-MSOP10	MCU Pre-driver	100V PN-MOS X2	Hall Latch
	8"	ACDC Buck Regulator	27W	2450	MF610-MSOP10	MCU Pre-driver	100V PN-MOS X2	Hall Latch
EC Motor	200mm 28°	AC Direct Drive 230V	5W/7W	1300/1500	MF610-MSOP10	UC9101c	7N65 NMOS X4	Hall Latch
	230mm 28°	AC Direct Drive 230V	11W/16W	1300/1500	MF610-MSOP10	UC9101c	7N65 NMOS X4	Hall Latch
	254mm 28°	AC Direct Drive 230V	13W/19W	1300/1500	MF610-MSOP10	UC9101c	7N65 NMOS X4	Hall Latch
EC Motor	200mm 34°	AC Direct Drive 230V	8W/11W	1300/1500	MF610-MSOP10	UC9101c	7N65 NMOS X4	Hall Latch
	230mm 34°	AC Direct Drive 230V	20W/33W	1300/1500	MF610-MSOP10	UC9101c	7N65 NMOS X4	Hall Latch
	254mm 34°	AC Direct Drive 230V	35W/53W	1300/1500	MF610-MSOP10	UC9101c	7N65 NMOS X4	Hall Latch

DC FAN : DC Input One-coil BLDC Cooling Fan



EC FAN : AC Input One-coil BLDC Cooling Fan



EC MOTER : AC Direct Drive One-coil BLDC Motor Multi-Blade

